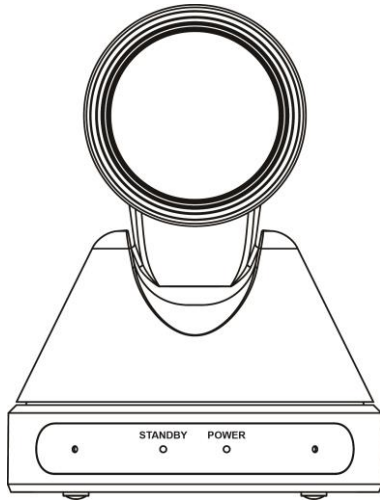


# USB Video Conference Camera Quick Start

## 1 Appearance and Connection



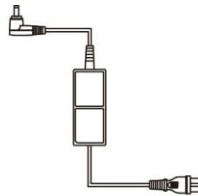
## 2 Packing List



Camera x 1



Remote Control x 1



AC Power Adaptor x 1



RS232 Cable (option) x 1

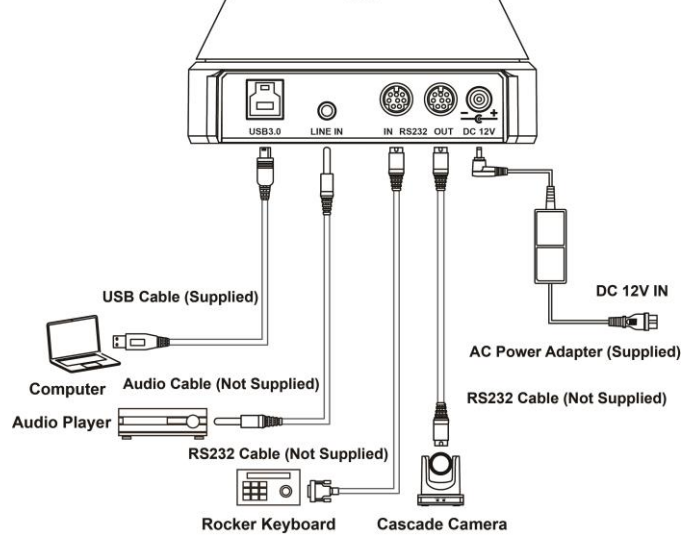
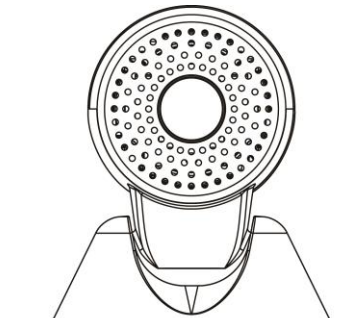
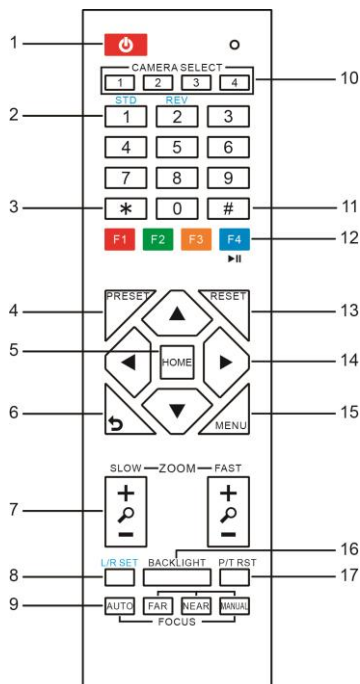


USB Cable x 1



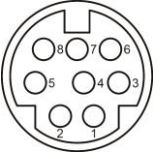
Quick Start x 1

## 3 Remote Control

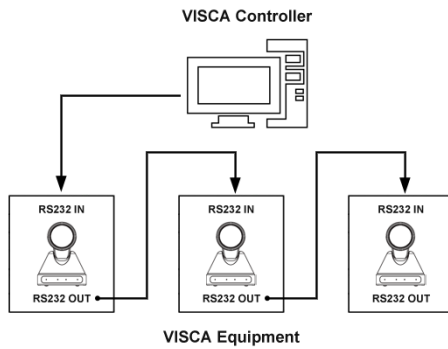


No.	Name	Function Description
1	Standby Key	Enter into standby mode by pressed it
2	Number Key	Preset setting or transfer preset
3	*Key	Equipped with other keys for using
4	Preset Key	Preset: Setting Preset + Number key (0-9)
5	HOME Key	Confirm menu or the PTZ will back to the middle position after pressed it
6	Return Key	Return back the last level menu
7	Zoom Button	Making the lens wide angle/narrow angle slowly or quickly
8	Left/Right Setting Key	<ul style="list-style-type: none"> <li>Standard: Simultaneously press Left/Right setting key + 1 (horizontal)</li> <li>Reverse: Simultaneously press Left/Right setting key + 2 (horizontal)</li> </ul>
9	Focus Key	auto/manual/far-end/near-end focus
10	Selection Key	Select the camera need to control
11	#Key	Need to equipped with other key
12	IR Remote Control Key	[* + # + F1/F2/F3/F4]: NO.1/2/3/4 address
13	Reset Key	Delete preset (reset key + corresponding preset number key)
14	PTZ Control key	PTZ moved according to the arrow indicates
15	Menu Key	Enter or exit OSD Menu after pressed it
16	Backlight Key	Turn on/off backlight consumption (loop)
17	PTZ Reset Key	PTZ starts to self-test after pressed it

## 4 RS232 Interface

Interface diagram	No.	Function	No.	Function
	1	DTR	5	RXD
	2	DSR	6	GND
	3	TXD	7	IR OUT
	4	GND	8	NC

## 5 VISCA Network



## 6 Safety precautions

### Electrical safety

The installation and use of this product must strictly comply with local electrical safety standards.

### Power polarity

This product uses DC +12V power supply, the maximum current 2A, please pay attention to the polarity of power supply.

### Careful installation

Do not grab the camera head to move the camera.  
Do not rotate head of camera by hand, it may cause mechanical problems.

### Do not unauthorized disassemble

This product has no parts which can be repaired by the user. The damage caused by the user's own disassembly is not covered by warranty.



Notice

- Electromagnetic fields at specific frequencies may affect the image of the machine.
- Do not hot-plug the power supply during the use of the IP Camera.

## 7 Troubleshooting

### Image

- The monitor shows no image
- 1) Check that the camera power supply is connected, the voltage is normal, and the power indicator light is always on.
  - 2) Turn off the power switch to check whether the camera is self-testing.
  - 3) Check the cable of video platform and TV whether correct connection.
    - Sometimes without the image
- Check the cable of video platform and TV whether correct connection.
- Image have jitter when the camera lens at max multiple.
- 1) Check whether the camera installed position be stabled.
  - 2) Check whether have vibrating machinery or object near the camera.

### Control

- Remote control can not control
- 1) Check and replace the new battery for the remote controller.
  - 2) Check whether the camera working mode is correct.
  - 3) Check whether the address of remote control can match the camera.
- Series port can not control
- 1) Check whether the camera protocol, address such is the same.
  - 2) Check whether the control line is connected well.

## 8 Toxic and harmful substances

Part Name	Toxic or harmful substances or elements					
	(Pb)	(Hg)	(Cd)	(CrVI)	(PBB)	(PBDE)
Metal	x	○	○	○	○	○
Plastic	○	○	○	○	○	○
Glass	x	○	○	○	○	○
Circuit board	x	○	○	○	○	○
Power	x	○	○	○	○	○
Attached	x	○	○	○	○	○

This form is compiled in accordance with SJ/T 11364.

○: Indicates that the content of the hazardous substance in all homogenized materials of the component is subject to the limit specified in GB/T 26572.

x: Said the hazardous substance in at least one of the components homogenized material content in excess of the GB/T 26572 limit requirements, and there are no mature alternatives.

## 9 Warranty Card

If failure caused by non-human causes occurs within one year from the date of purchase of the machine, you may enjoy the warranty service of the product. Any of the following circumstances is not covered by the warranty:

- Without disassemble, modification such as fault causes.
- Use of an environment does not conform to requirements of the product.
- Irresistible factors, such as fire, earthquake, lightning strike, etc.
- Warranty card does not match the product number or it is altered.

<b>User Name</b>	
<b>User Address/Post Code</b>	
<b>Contact Number</b>	
<b>Product Model</b>	
<b>Product Series</b>	
<b>Purchasing Date</b>	
<b>Invoice No.</b>	
<b>Sales Department</b>	

User save, lost or not compensated

Sales Department: (seal)